

GRAEF

YOUR SPECIALIST FOR SLICING SOLUTIONS

SOLUTIONS FOR AUTOMATIC SLICING & PACKAGING



DISKGIVER

Automatic disk dispenser for round presentations



disk dimensions from diameter 150 to 230 mm



Capable of working with disk dimensions from diameter 150 to 230 mm. The GRAEF machine slices all kind of products. The DiskGiver machine, using the automatic suction device, delivers the round rigid base with both machines synchronized for the round display production.

Possibility to program different slice quantities, distance between slices, number of slices and its diameter.

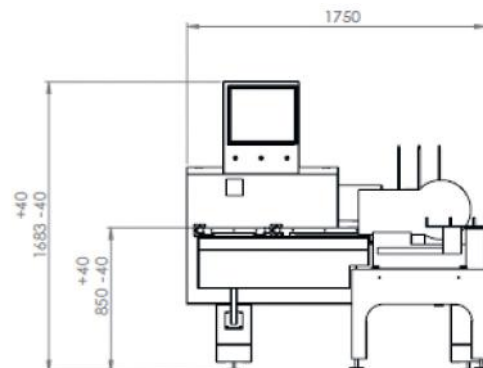
Circle quantity programmable.

Production: Up to 8 disk/min

TECHNICAL DATA

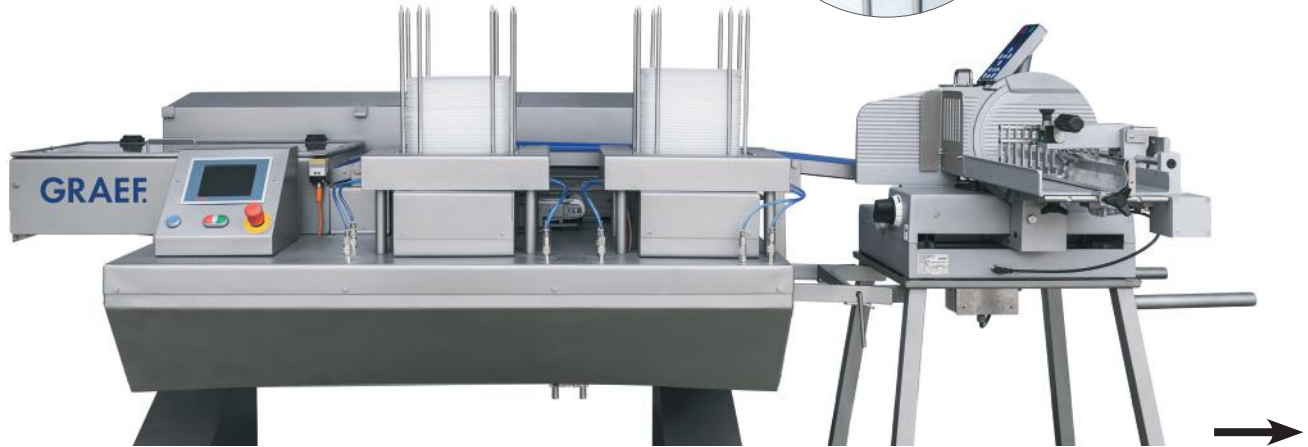
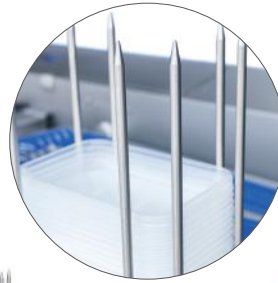
Total dimension with GRAEF VA804
1750 x 1900 x 1600 mm
Total dimension with GRAEF VA806
1750 x 2250 x 1600 mm
Electric connection 230V (Op. 400V)
Electric consumption 1'5-2 Kw
Pneumatic connection 1/4 - 8 Bar
Total weight 310 Kg

To synchronize with GRAEF VA 804/806

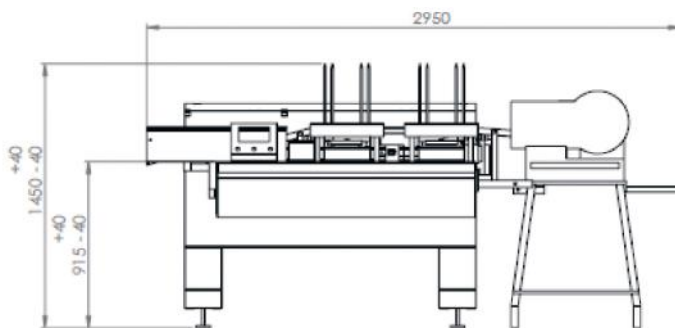


TRAYGIVER

Automatic tray dispenser with single or double tray system
 Special synchronization with GRAEF slicer for parallel operation
 TrayGiver places automatically the tray on a conveyor belt ready to receive the sliced presentations from the slicer
 No operator needed, just supervision of the process



Possibility to disconnect the slicer to work separately for other applications



TECHNICAL DATA

Total dimension with GRAEF VA804
 2950 x 1900 x 1600 mm
 Total dimension with GRAEF VA806
 2950 x 2050 x 1600 mm
 Electric connection 230V (Op. 400V)
 Electric consumption 1'5-2 Kw
 Pneumatic connection 1/4 - 8 Bar
 Total weight 460 Kg

To synchronize with GRAEF VA 804/806

INTERGIVER

The advanced interleaver

2 Variants: Single paper or double paper dispenser
 Capable to work with a wide range of materials and thickness as: Plastic PA/PE, coated Papers, Carton, etc.

Paper Sizes

Intergiver double : 2 papers max 110x110mm
 Intergiver single : 1 paper max 220x250mm

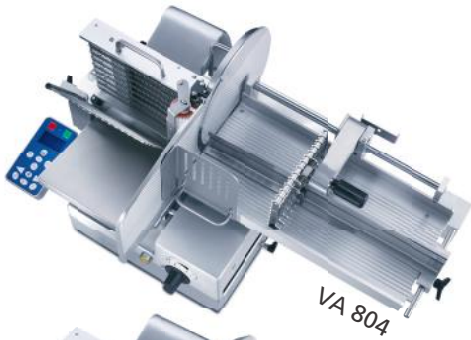
TECHNICAL DATA

Electric connection 230V (Op. 400V)
 Electric consumption 1'5-2 Kw
 Pneumatic connection 1/4 - 8 Bar To

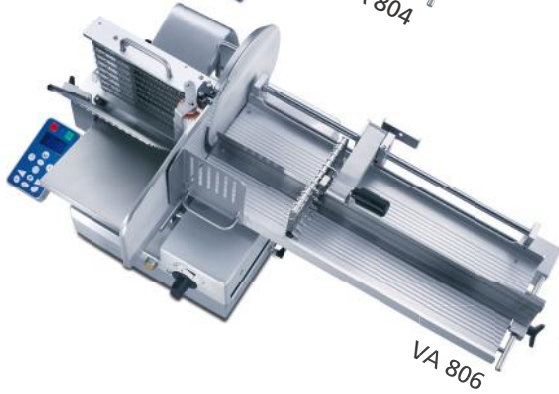
To synchronize with GRAEF VA 804FB/806FB



All systems designed and developed to work synchronized with GRAEF slicers



VA 804



VA 806



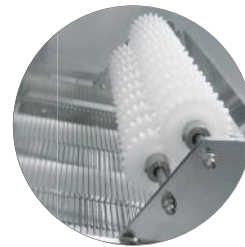
VA 804 FB /
VA 806 FB



Slicer Coating **CERA 3**



Different Extra accessories
for inclined slicing



Folding Slices Device

*Solutions for each requirement, we can adapt all automation to every customer demand
The automatic slicer grants a perfect food slicing on the majority of products*

Fresh Meat

Jamón/Prosciutto

Salmon/Tuna

Cooked Ham

Sausages

PreFormed Burguers

Cheese

Carpaccio

customer support for project development

GRAEF

ZERMAT

Gebr. Graef & Co. KG
Donnerfeld 6
59757 Arnsberg
02932 9703 0
info@graef.de
www.graef.de

Sales Agent for spanish and south american markets

+34 607 842 834
www.zermat.es
www.cortafiambres.es